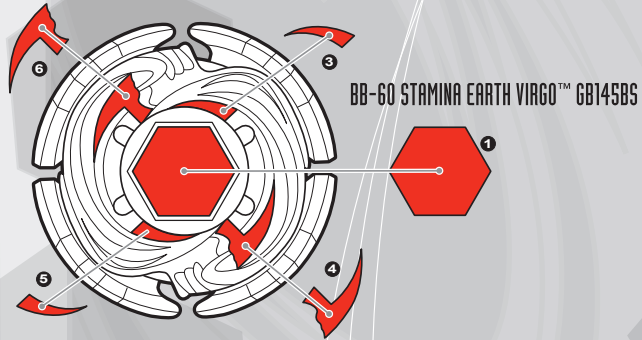
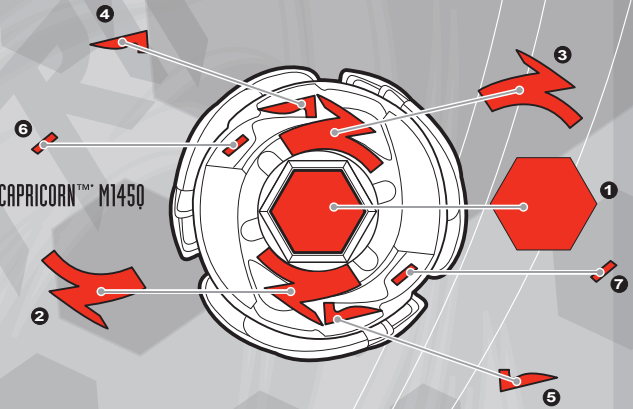
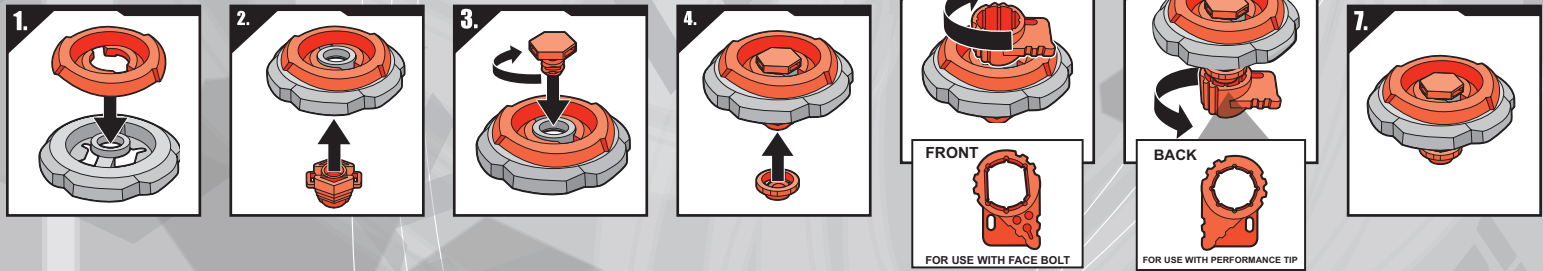


**APPLY LABELS AS SHOWN**

Remove temporary decals and apply permanent decals as shown.



BB-50 ATTACK STORM CAPRICORN™ M145Q

**ASSEMBLY:****DUOTRON™ LAUNCHER**

INCLUDES:  
launcher, 2 tops  
& instructions.

**WARNING:**

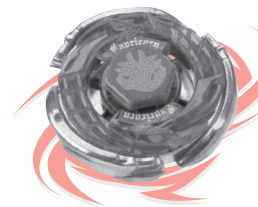
Do not use Beyblade™ tops or Beystadium™ (sold separately) on tables or other elevated surfaces.



BB-60 STAMINA  
EARTH VIRGO™ GB145BS

	ATTACK	DEFENSE	STAMINA
FACE BOLT™*			
ENERGY RING™*: VIRGO	★	★	★
FUSION WHEEL™*: EARTH	★	★	★★
SPIN TRACK™*: GB145		★	★
GRAVITY BALL INCREASES STAMINA AND STABILITY.		★	★
PERFORMANCE TIP™*: BS		★	★
BOTTOM SPIKE MAINTAINS SPIN.		★	★

Before assembly and playing, please read instructions. Please keep these instructions for future reference.



BB-50 ATTACK  
STORM CAPRICORN™ M145Q

	ATTACK	DEFENSE	STAMINA
FACE BOLT™*			
ENERGY RING™*: CAPRICORN	★	★	★
FUSION WHEEL™*: STORM	★	★	★
SPIN TRACK™*: M145	★		★
MOVE THE TIP TO CHANGE FREQUENCY OF BOUNCES.			★
PERFORMANCE TIP™*: Q	★★		
QUAKE TIP MAKES TOP BOUNCE.	★★		

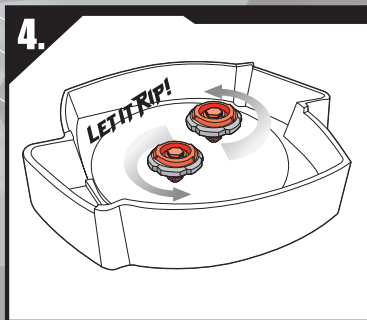
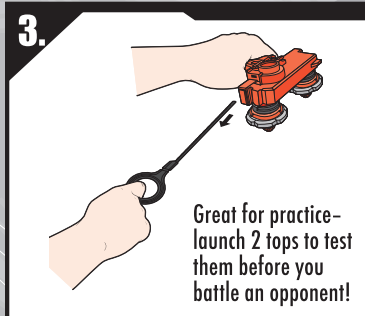
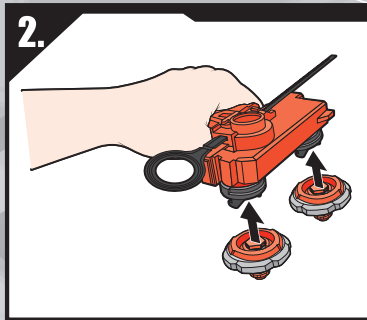
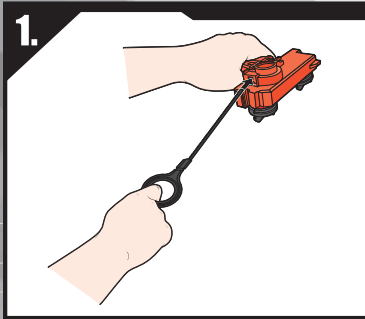
Performance Tip can be moved to an off-center position to create a pulsating attack action.

**AGES 8+**  
27094





## TO LAUNCH:



## BATTLE TIPS:

**Collect.** Each type of top (attack, defense, stamina, balance) performs differently, so it's good to have different types. That way, you are ready to battle any top.

**Customize.** Customizing your tops will make them perform differently. Experiment and see how to enhance their performance by switching parts.

- What kind of top does your opponent have, and what will be the best way to defeat it? Do you need an attack top or one with stamina? Is a defense top your best option, or a top with balance?
- What kind of stadium are you using? Familiarize yourself with the different types of stadiums, so you will know which kind of top will work best in it.
- Learn more at [www.beyblade.com](http://www.beyblade.com)!

**Compete.** Figure out what type of top you're battling so you can choose the best top and strategy to win.

## Battle at [BeyBladeBattles.com](http://BeyBladeBattles.com)!†

## TRIPLE SHOT BATTLES:

**You and your opponent battle 3 Beyblade tops!**

- Assemble your tops.
- Decide the order in which you'll battle them.
- Complete 3 battles.
- The player who wins 2 out of 3 battles is the winner.

\*For use with Beystadium Arena™\*. (Sold separately.)

Not compatible with Electronic or non-Metal Fusion Beyblade tops and launching systems.

Compatible with Metal Fusion right-spin tops made in 2010.

†Web Site Available for a Limited Time Only



Product and colors may vary. Retain this package for future reference.

© Takafumi Adachi, MFBBProject, TV Tokyo

Manufactured under license from TOMY Company, Ltd.

®\* and/or TM\* & © 2010 Hasbro. All Rights Reserved.

TM & © denote U.S. Trademarks.

PN 7102230000

d-rights

